

Parts list

High Speed Direct Drive

Automatic Lockstitch Machine

with Built-in Energy Saving Motor

and Needle Feed

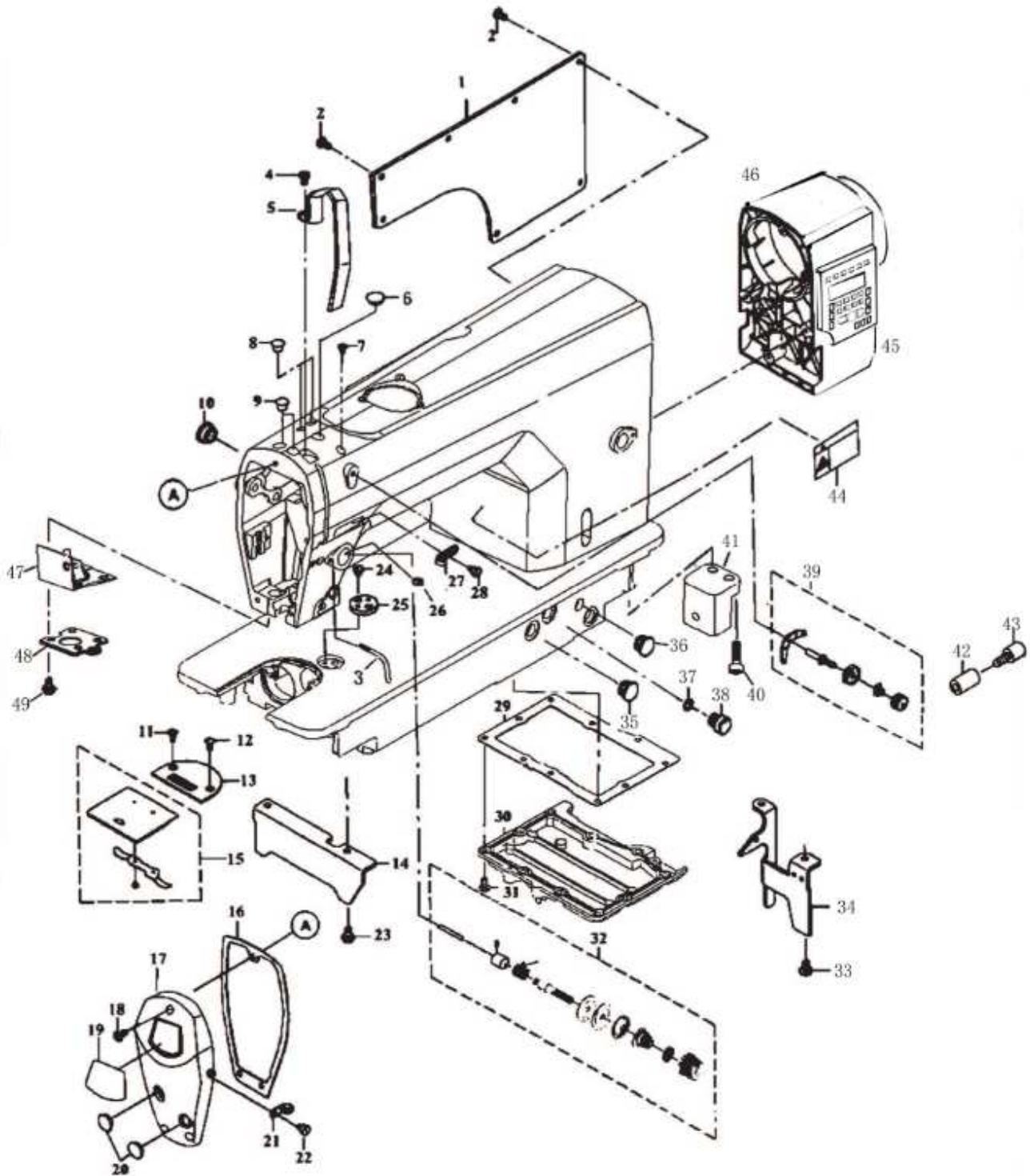
Tronic 7 NF



CONTENTS

1.	Machine frame & miscellaneous cover components.....	2
2.	Main shaft & needle bar components.....	4
3.	Horizontal feed & vertical feed and hook driving shaft components	6
4.	Hang lifter & tension release components.....	9
5.	The needle bar swing components.....	11
6.	Feed adjust mechanism components.....	13
7.	Under cover components.....	15
8.	Bobbin winder components.....	17
9.	Automatic reverse feed components.....	19
10.	Thread stand components.....	21
11.	Wiper components.....	23
12.	Thread trimmer components	25
13.	Oil lubrication components.....	27
14.	Accessories Part Components.....	29
15.	Automatic press foot lifter components.....	31

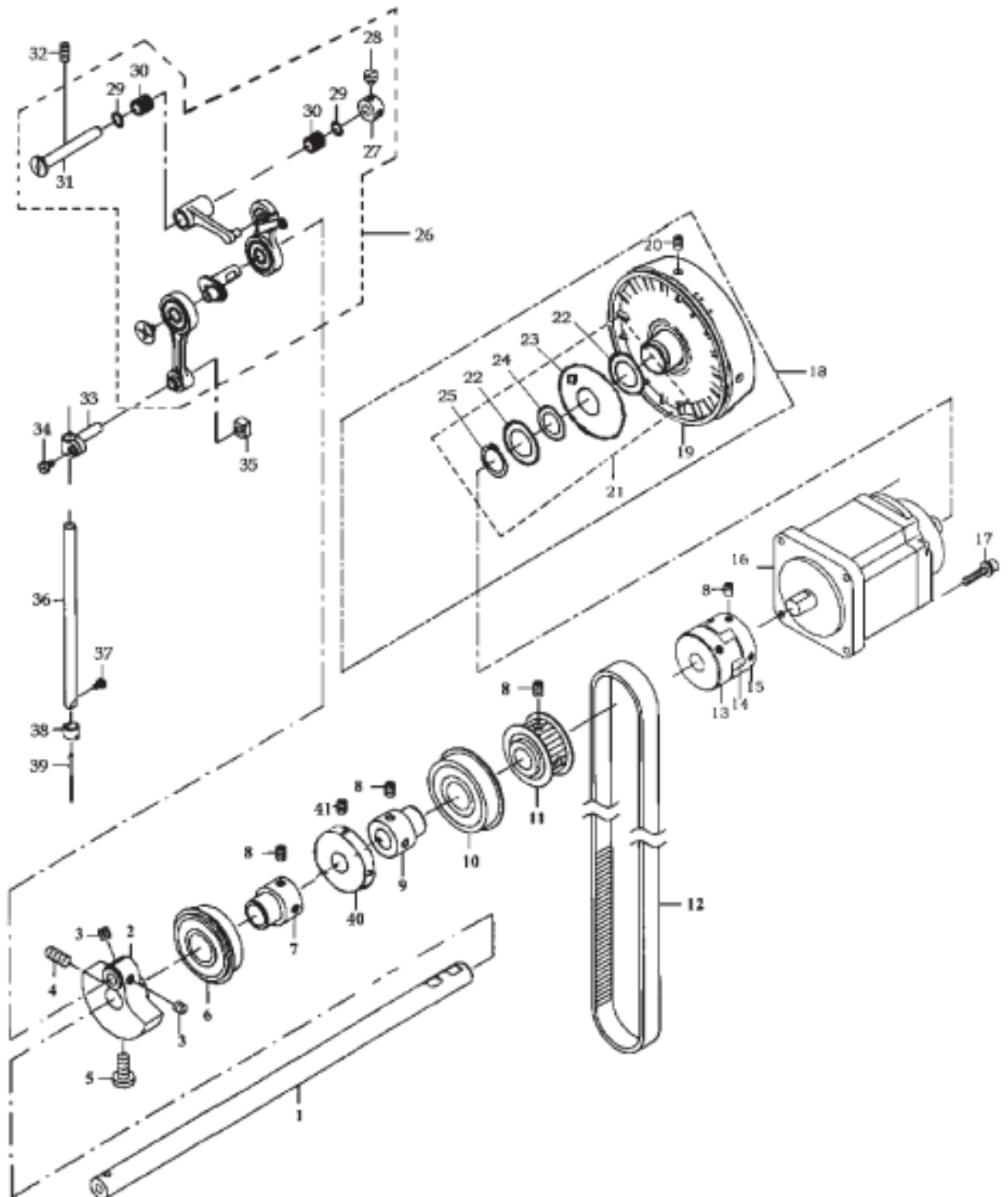
1. Machine frame & miscellaneous cover components



1. Machine frame & miscellaneous cover components

Ref. No.	Part No.	Description	QTY
1	20003404	SIDE PLATE	1
2	10008972	SCREW	7
3	10022343	ARM THREAD GUIDE	1
4	10008972	SCREW	1
5	20003407	THREAD TAKE-UP LEVER COVER	1
6	10012147	RUBBER PLUG	1
7	10013541	SCREW	1
8	10008943	RUBBER PLUG	2
9	10012460	RUBBER PLUG	2
10	10012128	RUBBER PLUG	1
11	10009005	SCREW	1
12	10012463	SCREW	1
13	10022847	THROAT PLATE	1
14	10012135	BED STUD A	1
15	10013706	SLIDE PLATE ASM	1
16	10022846	FACE PLATE PACKING	1
17	20006907	FACE PLATE	1
18	10008972	SCREW	3
19	10005468	PLATE	1
20	10008977	RUBBER PLUG	2
21	10008937	ARM THREAD GUIDE B	1
22	10008973	SCREW	1
23	10012142	SCREW	2
24	10004374	SCREW	2
25	10004373	RULER STOP SEAT	1
26	10010593	SCREW	1
27	10008940	ARM THREAD GUIDE A	1
28	10008973	SCREW	1
29	10012143	GEAR BOX PACKING	1
30	10012145	GEAR BOX COVER	1
31	10004611	SCREW	10
32	10013000	THREAD TENSION ASM	1
33	10012142	SCREW	2
34	10012148	BED STUD B	1
35	10012128	RUBBER PLUG	1
36	10012136	RUBBER PLUG	1
37	10012139	RUBBER PLUG	1
38	10012141	AIR-DISCHARGING	1
39	10012867	THREAD TENSION GUIDE	1
40	10011313	SCREW	2
41	10022344	REVERSE FEED SOLENOID BASE	1
42	10013621	REVERSE FEED LEVER STOPPER	1
43	10012149	SCREW	1
44	10008936	SAFETY LABEL	1
45	10006157	SCREW	4
46	10038018	CONTROL BOX	1
47	10022342	RUBBER PACKING	1
48	10022848	PLATE	1
49	10011049	SCREW	4

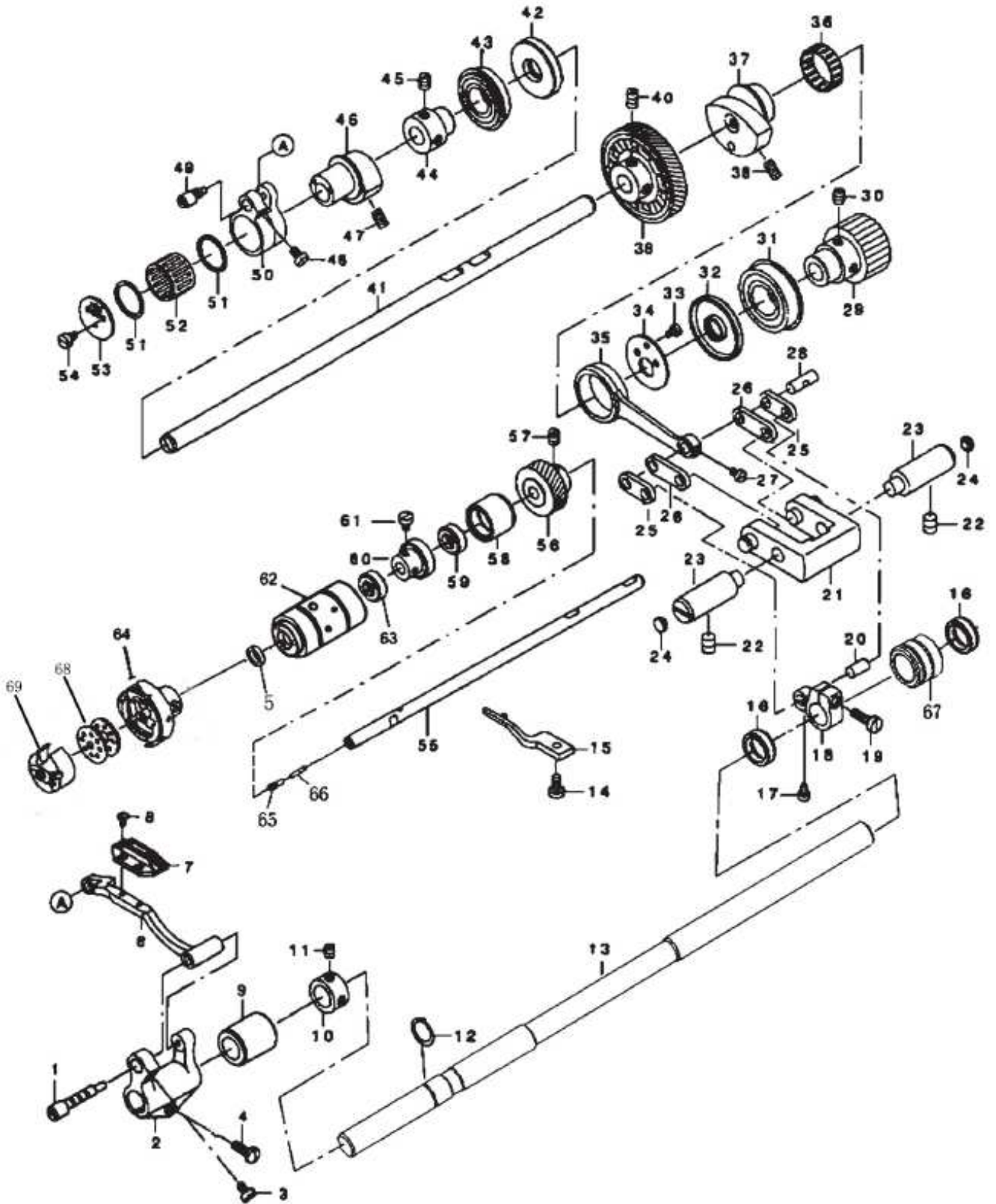
2. Main shaft & needle bar components



2. Main shaft & needle bar components

Ref. No.	Part No.	Description	QTY
1	10012663	Main Shaft	1
2	10012607	Needle Bar Crank	1
3	10005020	Screw 1/4-40 L=6	2
4	10010082	Screw 9/32-28 L=16	1
5	10010545	Screw 9/32-28 L=16	1
6	10039211	Bearing	1
7	10039151	Bearing Support	1
8	10009187	Screw M6 L=8	6
9	10012668	Bearing Support	1
10	10025862	Bearing	1
11	10006241	Sprocket, Upper	1
12	10014095	Timing Belt	1
13	10012613	Coupling Joint	1
14	10011227	Connecting Rubber Block	1
15	10012615	Coupling Joint	1
16	10038017	Motor	1
17	10006157	Bolt	4
18	20002766	Head Wheel Asm	1
19	20010974	Head Wheel	1
20	10002436	Screw M6 L=8	2
21	10032911	Parcel Asm	1
22	10003845	Washer	2
23	10032699	Separate Parcel	1
24	10003364	Spring Washer	1
25	10003365	E-Ring	1
26	10022346	Thread Take-Up Asm	1
27	10005745	Thrust Collar	1
28	10013590	Screw 11/64-40 L= 4	2
29	10005786	Bearing Support	2
30	10005747	Bearing	2
31	10005794	Thread Take-Up Crank Shaft	1
32	10010083	Screw 15/64-28	1
33	10010590	Needle Rod Holder	1
34	10010643	Screw 9/64-40	1
35	10010586	Slide Block	1
36	10022347	Needle Bar	1
37	10013182	Screw	1
38	10013181	Needle Bar Thread Guide	1
39	10036288	Needle	1
40	10013112	Bobble Winder Driving Wheel	1
41	10011062	Screw 11/64-40	2

3. Horizontal feed & vertical feed and hook driving shaft components



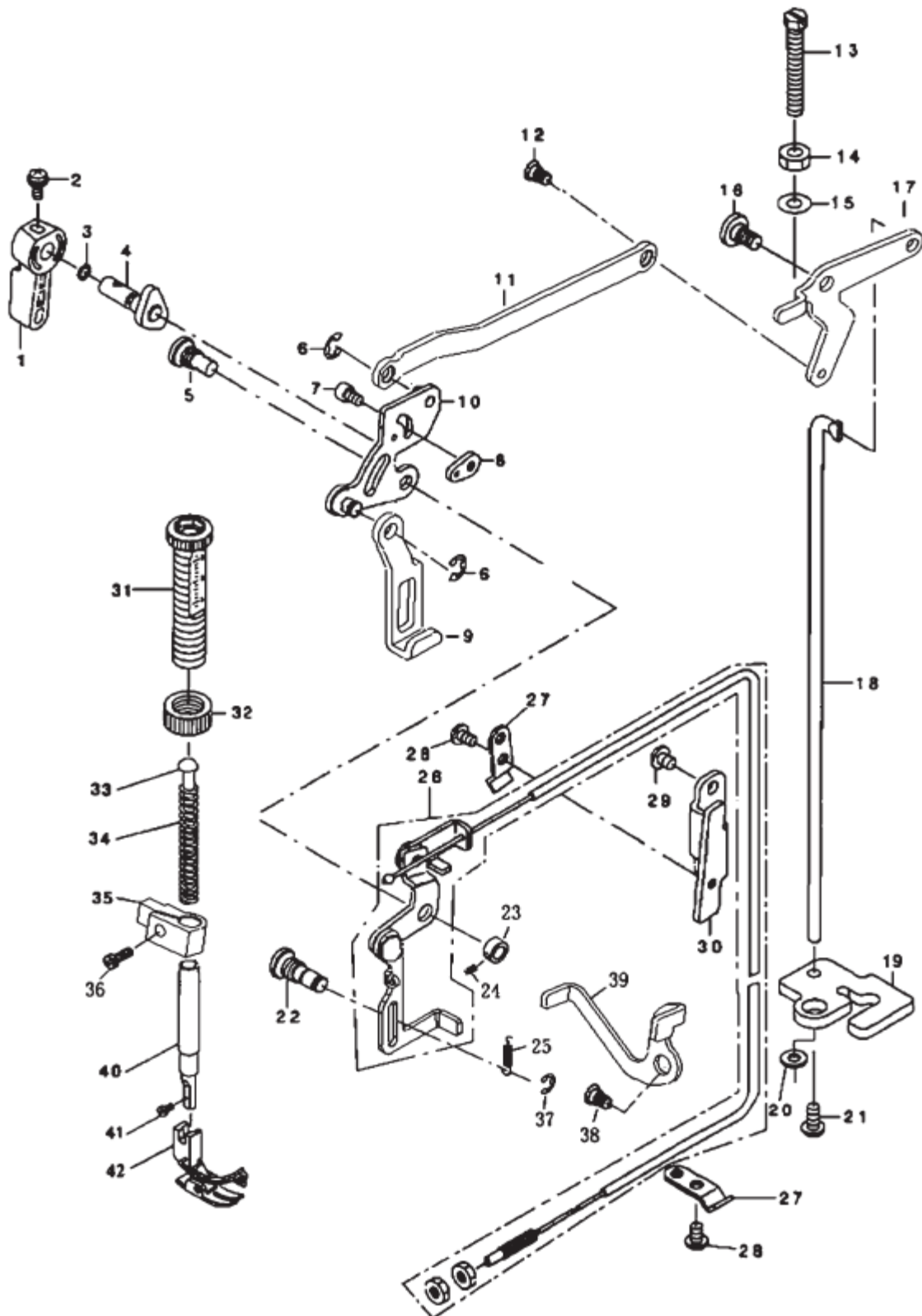
3. Horizontal feed & vertical feed and hook driving shaft components

Ref. No.	Part No.	Description	QTY
1	10012490	FEED ROCKER BASE SHAFT	1
2	10012540	FEED ROCKER BASE ARM	1
3	10010074	SCREW	1
4	10010095	SCREW	1
5	10013029	OIL SEAL	1
6	10005749	FEED DOG	1
7	10022849	FEED BASE	1
8	10010099	SCREW	2
9	10012494	FEED ROCKE SHAFT METAL	1
10	10010542	MAIN SHAFT THRUST COKKAR	1
11	10005020	SCREW	2
12	10003290	BETAINING RING	1
13	10032116	FEED ROCKER SHAFT METAL	1
14	10012530	BOBBIN CASE HOLDER	1
15	10010066	SCREW	1
16	10012536	OIL SEAL	1
17	10010071	SCREW	1
18	10012492	FEED POCKER ARM	1
19	10010095	SCREW	1
20	10026507	WALKING FOOT PIN B	1
21	10005746	ADJUSTING LINK ASM	1
22	10010593	SCREW	2
23	10035637	ADJUSTING LINK ASM FULCRUM	2
24	10012495	RUBBER PLUG	2
25	10035641	LINK B	2
26	10035635	LINK A	2
27	10010071	SCREW	1
28	10035643	WALKING FOOT PIN C	1
29	10012535	LOWER SPROCKET	1
30	10009187	SCREW	2
31	10085862	BEARING	1
32	10005742	FEED ROCKER CAM PLATE	2
33	10010643	SCREW	1
34	10005787	FEED ROCKER ROD	1
35	10012538	SEAL	1
36	10005792	BEARING	1
37	10005740	FEED ROCKER CAN PLATE	1
38	10010083	SCREW	2
39	10012462	LARGE	1
40	10008862	SCREW	2
41	10012489	FEED DRIVING SHAFT	1
42	10012533	SEAL	1
43	10026364	BEARING	1
44	10012501	SUPPORT	1
45	10003921	SCREW	2
46	10006135	FEED DRIVING CAM	1
47	10010083	SCREW	2
48	10010074	SCREW	1
49	10012498	BASE SHAFT	1
50	10005789	BASE ARM	1

3. Horizontal feed & vertical feed and hook driving shaft components

Ref. No.	Part No.	Description	QTY
51	10005790	FEED DRIVING CAM THRUST BU	2
52	10005744	BEARING	1
53	10012503	CAM PLATE	1
54	10010643	SCREW	2
55	10012534	HOOK SHAFT	1
56	10012554	GEAR SMALE	1
57	10003921	SCREW	2
58	10012678	BEARING	1
59	10012423	SEAL	1
60	20000175	BEARING SUPPORT ASM	1
61	10013608	SCREW	2
62	10014463	COMPL	1
63	10014503	SEAL	2
64	10013965	HOOK ASM	1
65	10010064	SCREW	1
66	10010063	SCREW ASM	1
67	10022341	COMPL	1
68	10025484	BOBBIN	1
69	10006924	BOBBIN CASE	1

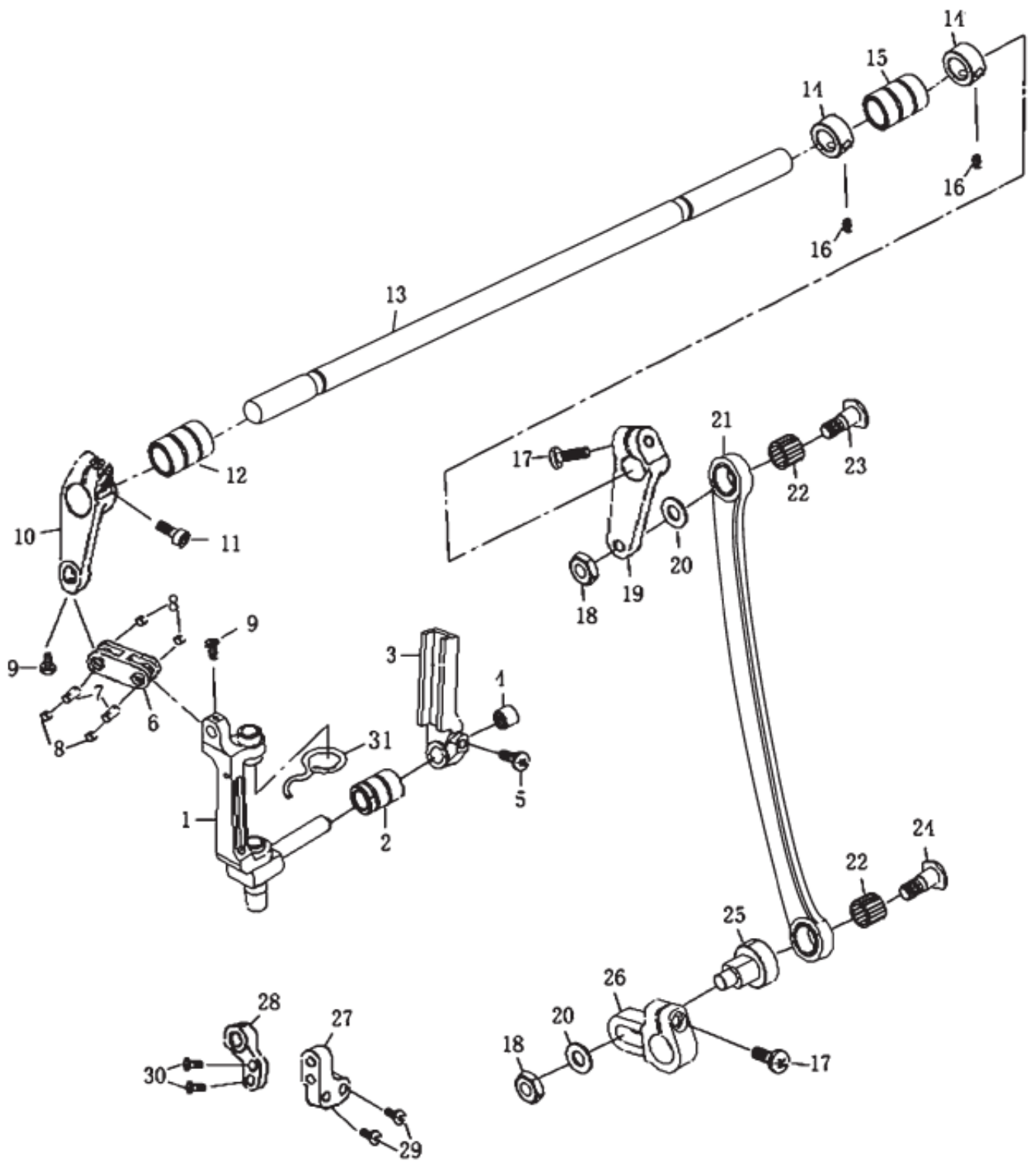
4. Hang lifter & tension release components



4. Hang lifter & tension release components

Ref No.	Part No.	Description	QTY
1	10011064	HAND LIFTER	1
2	10010016	SCREW	1
3	10010027	RUBBER RING	1
4	10013809	HAND LIFTER CAM ASM	1
5	10022350	SCREW	1
6	10003248	COLLAR	2
7	10002976	SCREW	1
8	10005833	PLATE	1
9	10022850	LIFTING PLATE	1
10	10022851	LIFTING LINK COMPL	1
11	10022852	CONNECTING ROD	1
12	10005882	SCREW	1
13	10012633	SCREW	1
14	10012625	NUT	1
16	10010652	SCREW	1
17	10022853	LIFTING LEVER LINK	1
18	10030397	LIFTING LEVER CONNECT ROD	1
19	10012429	CONNECTING ROD GUIDE	1
21	10012637	SCREW	1
22	10022351	SCREW	1
23	10013375	COLLAR	1
24	10011887	SCREW	1
25	10022508	SPRING	1
26	10022855	KNEE LIFTING TENSION RELEASE	1
27	10012425	WIRE HOLDER	2
28	10008972	SCREW	2
29	10012130	SCREW	1
30	10005881	WIRE HOLDER	1
31	10013325	SCREW	1
32	10011023	NUT	1
33	10013322	PRESSER BAR	1
34	10004473	SPRING	1
35	10022349	PRESSER BAR GUIDE	1
36	10013567	SCREW	1
37	10003248	COLLAR	1
38	10012181	SCREW	1
39	10022854	TENSION RELEASE RETURN	1
40	10014141	BUSHING	1
41	10010650	SCREW	1
42	10022352	PRESSER FOOT ASM	1

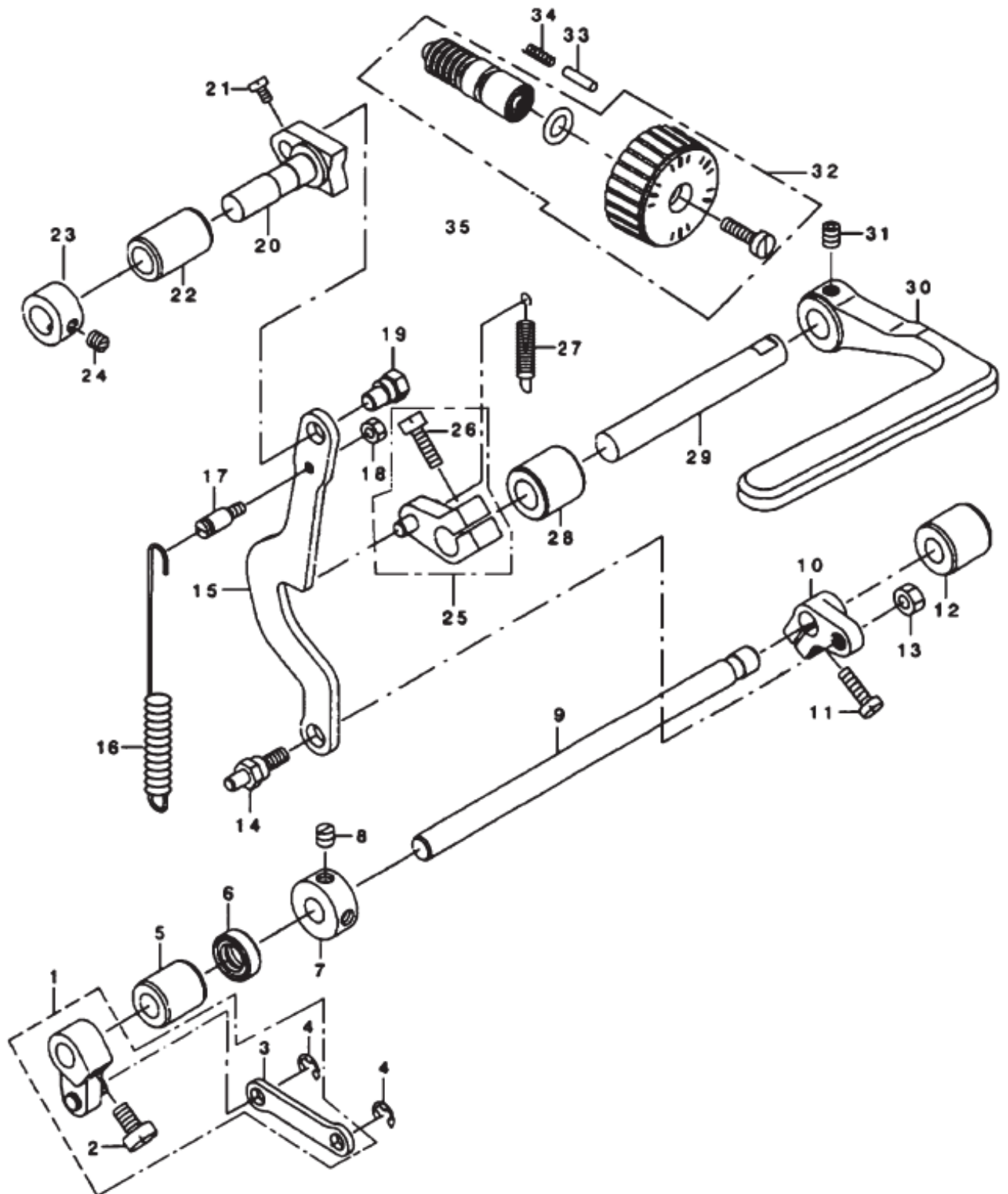
5. The needle bar swing components



5. The needle bar swing components

Ref. No.	Part No.	Description	QTY
1	10022509	ROCKING BASE COMPL	1
2	10022340	BUSHING	1
3	10023449	SLIDE BLOCK GUIDE	1
4	10003549	BEARING	1
5	10014395	SCREW	1
6	10023454	DRIVING LINK	1
7	10022856	LINK PIN	2
8	10022363	PLUG	4
9	10022354	SCREW	2
10	10022355	DRIVING CRANK FRONT	1
11	10004611	SCREW	1
12	10022338	BUSHING	1
13	10022356	NEEDLE FEED SHAFT	1
14	10011284	COLLAR	2
15	10022339	BUSHING	1
16	10012014	SCREW	2
17	10010030	SCREW	2
18	10012855	NUT	2
19	10022357	DRIVING CRANK REAR	1
20	10022359	WASHER	2
21	10022353	NEEDLE FEED ROD COMPL	1
22	10014106	BEARING	2
23	10022358	SCREW	1
24	10022858	SCREW	1
25	10022857	SCREW	1
26	10022360	NEEDLE FEED ARM	1
27	10022362	GUIDE	1
28	10022361	GUIDE	1
29	10011794	SCREW	2
30	10012507	SCREW	2
31	10008105	WICK	1

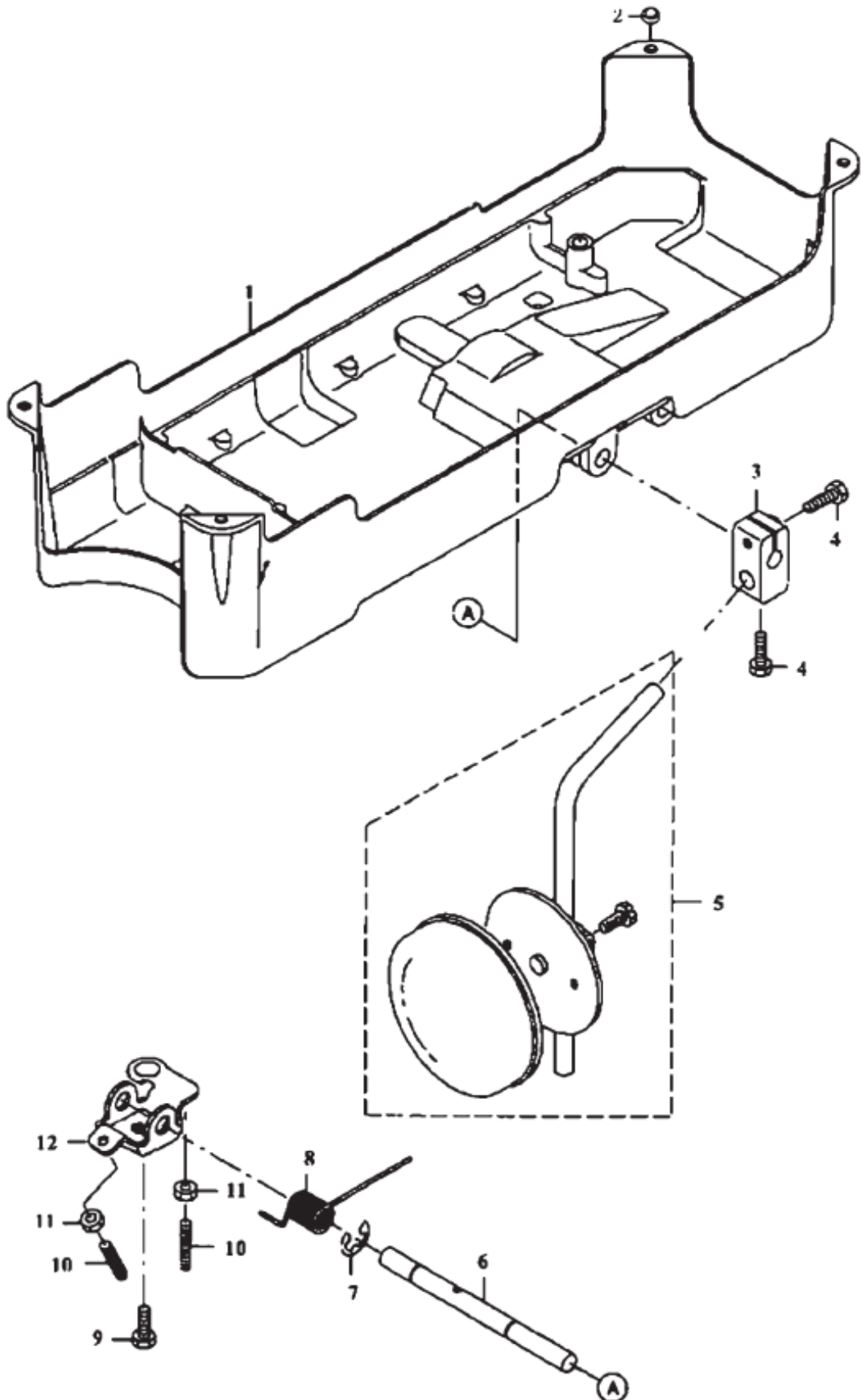
6. Feed adjust mechanism components



6. Feed adjust mechanism components

Ref. No.	Part No.	Description	QTY
1	20008145	FEED CHANGING SHAFT ARM, A	1
2	10010092	SCREW	1
3	10026508	LINK	1
4	10010649	RING	1
5	10012629	METAL, A	1
6	10012622	FEED CHANGING SHAFT OIL SEAL	1
7	10012627	COLLAR	1
8	10003921	SCREW	2
9	10013867	SHAFT	1
10	10012424	FEED CHANGING SHAFT ARM, B	1
11	10010095	SCREW	1
12	10012586	METAL, B	1
13	10012620	NUT	1
14	10012418	SCREW	1
15	10012680	FEED ADJUSTING ROD	1
16	10031476	SPRING	1
17	10012635	SPRING SUSPENSING	1
18	10010106	NUT	1
19	10013866	FEED ADJUSTING PIN	1
20	10012583	FEED ADJUSTING BASE	1
21	10010643	SCREW	2
22	10012626	METAL	1
23	10012428	COLLAR	1
24	10005020	SCREW	2
25	20000150	FEED LEVER ARM ASM	1
26	10010095	SCREW	1
27	10012676	SPRING	1
28	10012578	METAL	1
29	10012419	SHAFT	1
30	20003414	FEED LEVER ARM ASM	1
31	10009187	SCREW	2
32	20007039	FEED DIAL ASM	1
33	10013870	PIN	1
34	10013869	SPRING	1

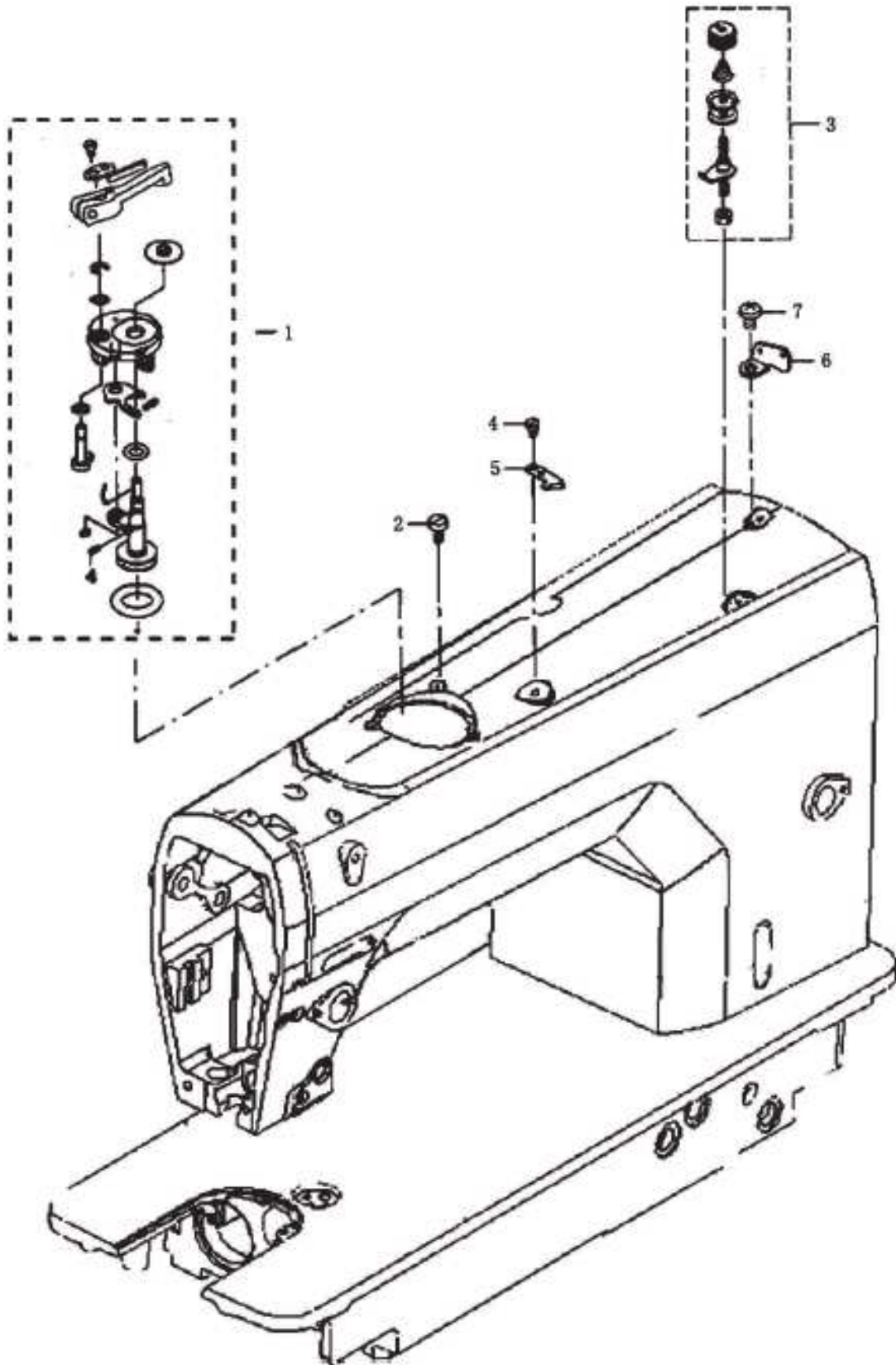
7. Under cover components



7. Under cover components

Ref. No.	Part No.	Description	QTY
1	10012632	UNDER COVER	1
2	10013102	HEAD GASKET	4
3	10003896	BRACKET	1
4	10002613	SCREW	2
5	10009985	KNEE PAD PLATE ASM	1
6	10008450	KNEE PRESS ROD I	1
7	10002559	E-RING	1
8	10012677	SPRING	1
9	10003898	SCREW	2
10	10003895	SSCREW M6 L=30	2
11	10003890	NUT M6	4
12	10008463	BRACKET	1
13	10008465	SCREW	2
14	10008464	CONNECTING ROD	1
15	10008466	KNEE PRESS ROD II	1
16	10008383	CONNECTING ROD	1

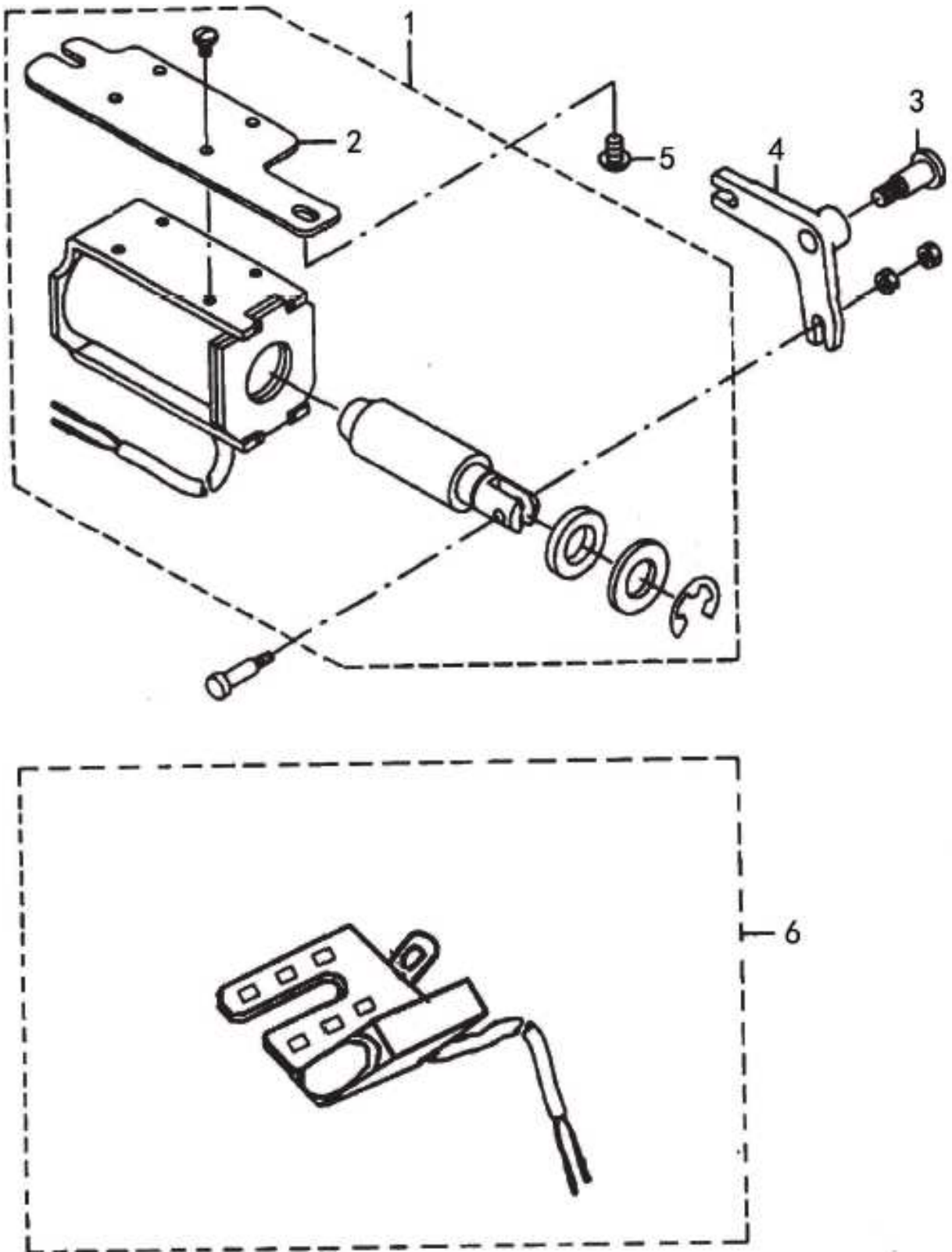
8. Bobbin winder components



8. Bobbin winder components

Ref. No.	Part No.	Description	QTY
1	10029803	BOBBIN DEVICE ASM	1
2	10009868	SCREW	3
3	10013064	BOBBIN THREAD TENSION ASM	1
4	10011143	SCREW	2
5	10010197	THREAD CUTTER	1
6	10011200	THREAD GUIDE PLATE	1
7	10011158	SCREW	1

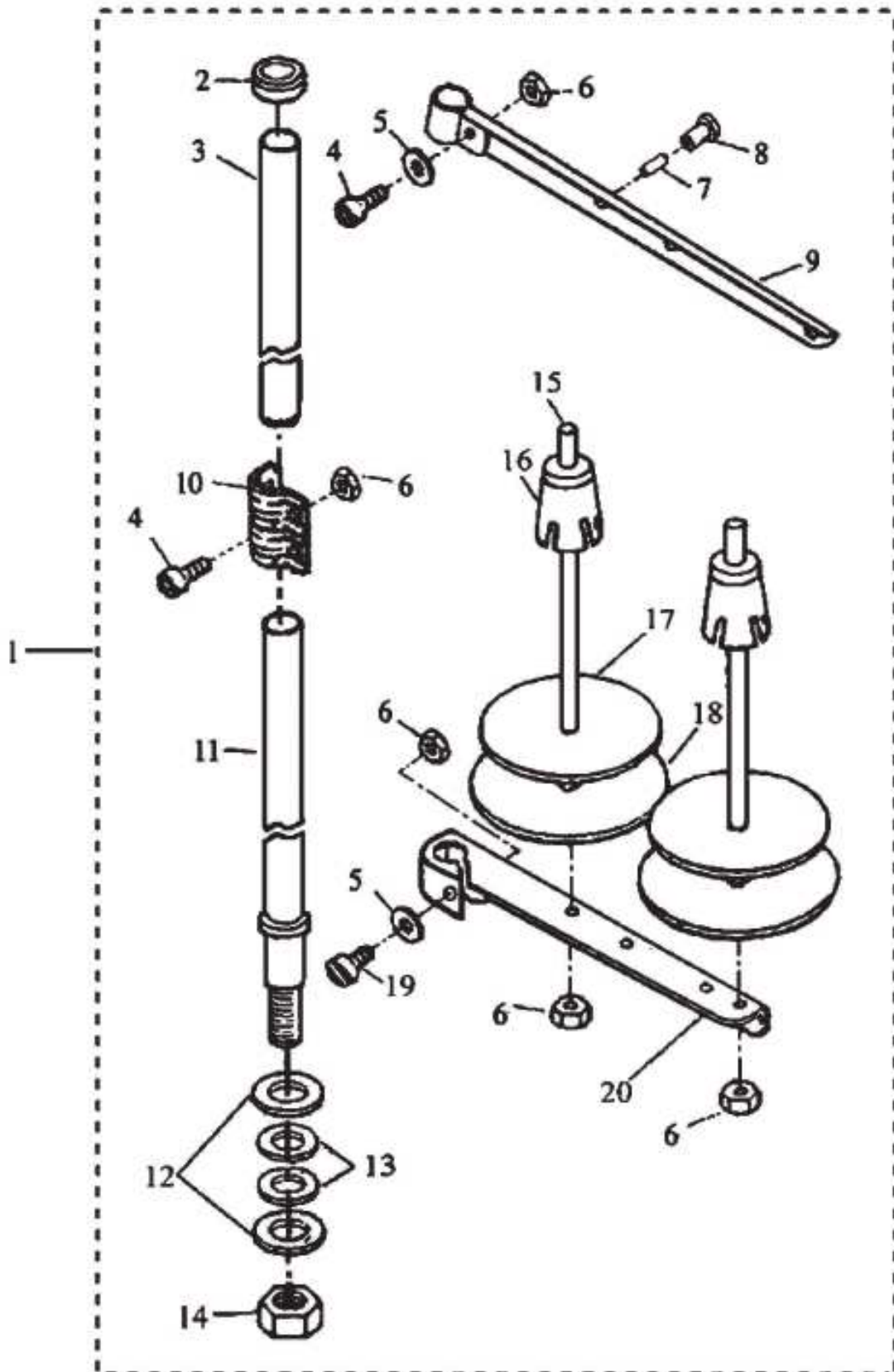
9. Automatic reverse feed components



9. Automatic reverse feed components

Ref. No.	Part No.	Description	QTY
1	10030678	REVERSE FEED SOLENOIND BASE ASM	1
2	10005820	REVERSE FEED SOLENOIND BASE ASM	1
3	10012628	SCREW	2
4	10012587	REVERSE FEED ASM	1
5	10012142	SCREW	2
6	10023457	OPTION SWITCH ASM	1

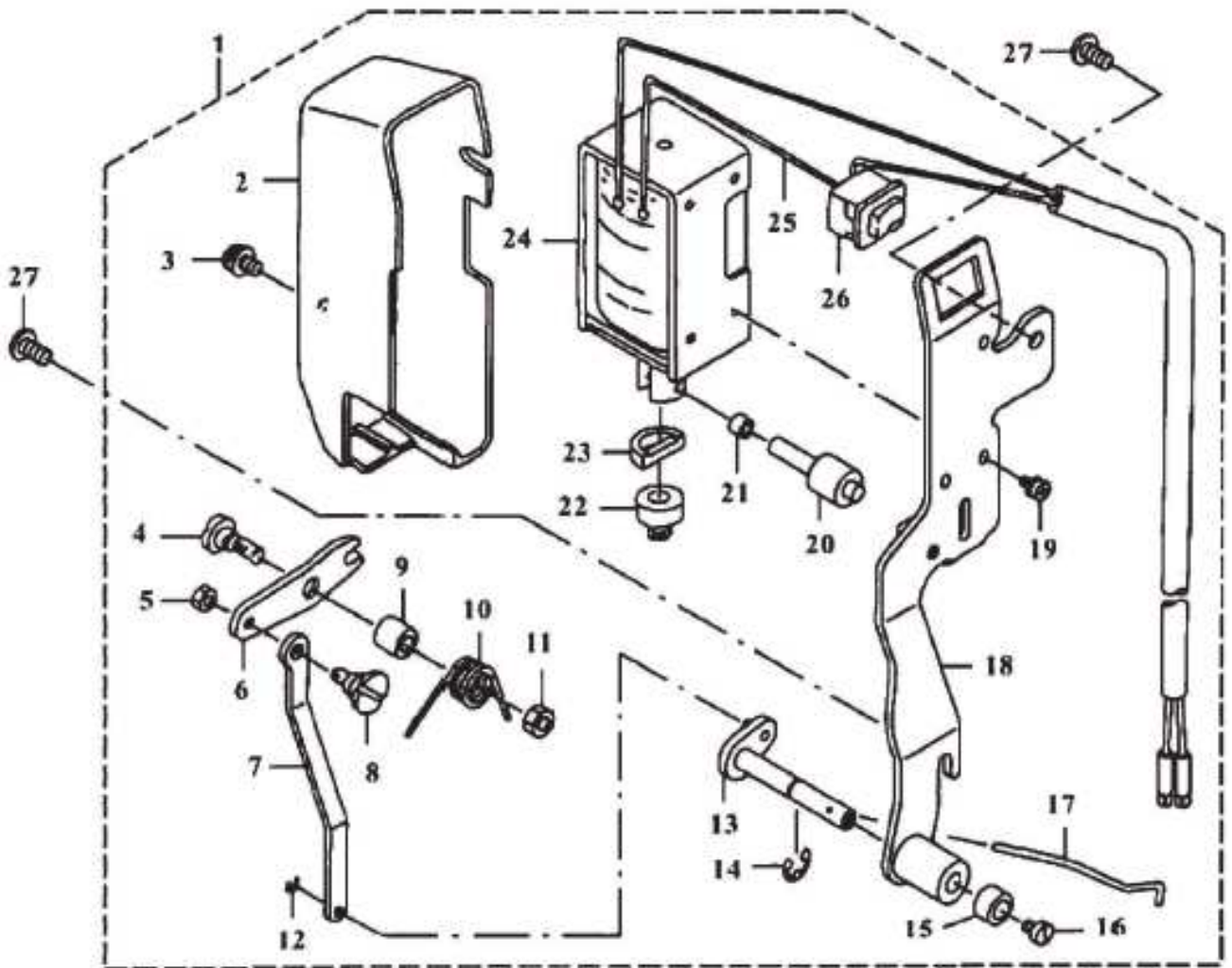
10. Thread stand components



10. Thread stand components

Ref. No.	Part No.	Description	QTY
1	10007130	THREAD STAND ASM	
2	10004282	COLUMN CAP	1
3	10004293	COLUMN PIPE	1
4	10003301	SCREW	2
5	10003022	WASHER	2
6	10002953	NUT	5
7	10004298	THREAD GUIDE PIPE	1
8	10004285	THREAD GUIDE BUSHING	1
9	10004298	THREAD HANGER	1
10	10004286	COLUMN PIPE CONNECTOR	1
11	10004291	COLUMN PIPE	1
12	10004295	WASHER	2
13	10004290	WASHER	2
14	10002953	NUT	1
15	10004288	SPOOL PIN	2
16	10004287	SPOOL CUSHION	2
17	10004281	SOFT CUSHION OF THREAD PLATE	2
18	10004299	THREAD PLATE	2
19	10003312	SCREW	1
20	10004284	THREAD HANGER	1

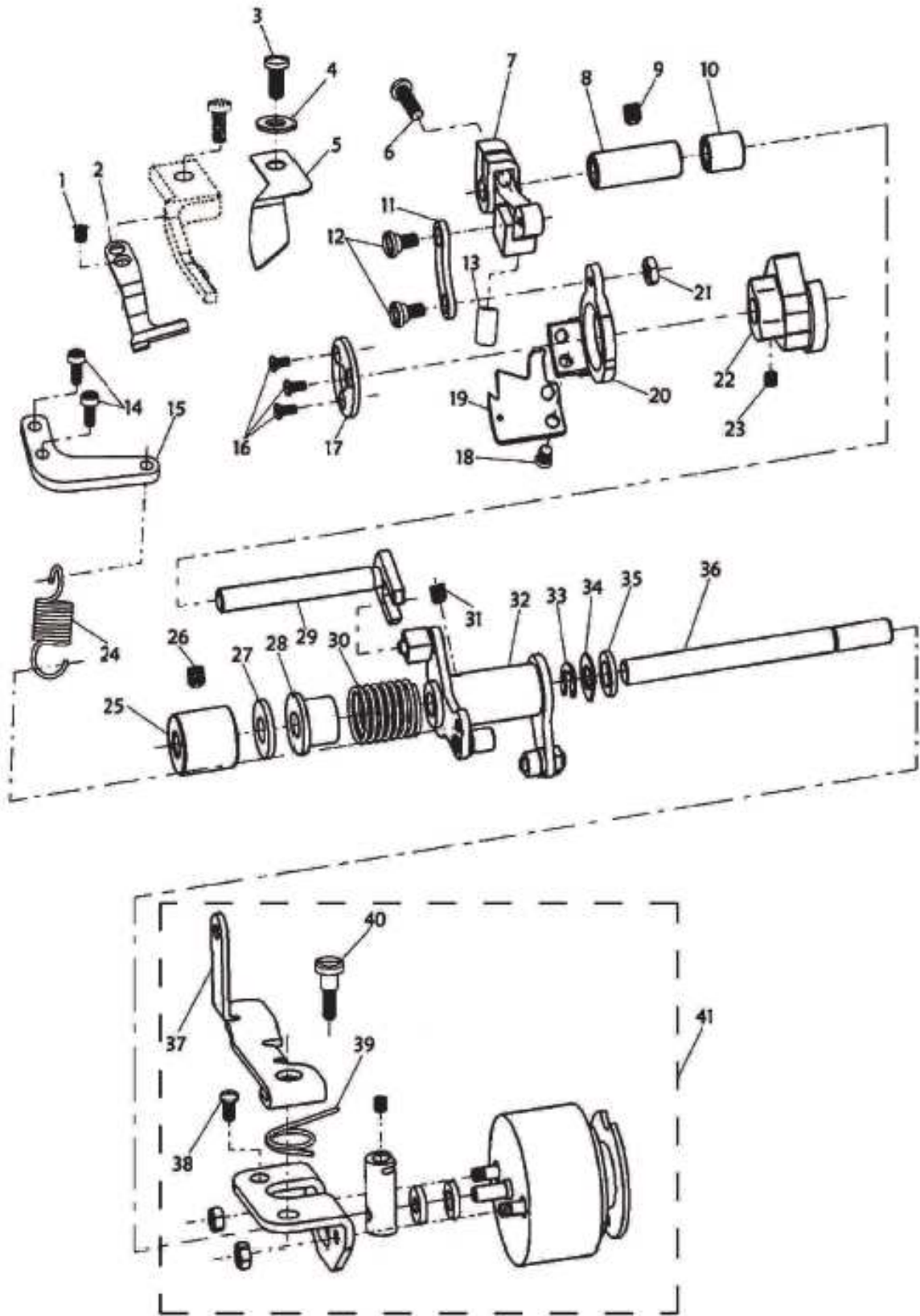
11. Wiper components



11. Wiper components

Ref. No.	Part No.	Description	QTY
1	10012526	WIPER ASM	1
2	10005724	WIPER COVER	1
3	10003036	SCREW	1
4	10005726	SCREW	1
5	10005766	NUT	1
6	10005772	WIPER LINK A	1
7	10005783	WIPER LINK B	1
8	10005738	SCREW	1
9	10005767	COLLAR	1
10	10005770	SPRING	1
11	10005735	NUT	1
12	10024749	COLLAR	1
13	10005829	WIPER SHAFT ASM	1
14	10010649	COLLAR	1
15	10005725	COLLAR	1
16	10005734	SCREW	1
17	10005765	WIPER	3
18	10005811	WIPER BASE SAM	1
19	10003082	WASHER	1
20	10005719	WIPER SOLENOID PIN	1
21	10005769	WIPER LINK COLLAR	1
22	10005812	WIPER RUBBER A	1
23	10005739	WIPER RUBBER B	2
24	10005736	WIPER SOLENOID PIN	1
25	10006293	ELECTRIC WIRE	1
26	10006263	POWER SWITCH	1
27	10008972	SCREW	2

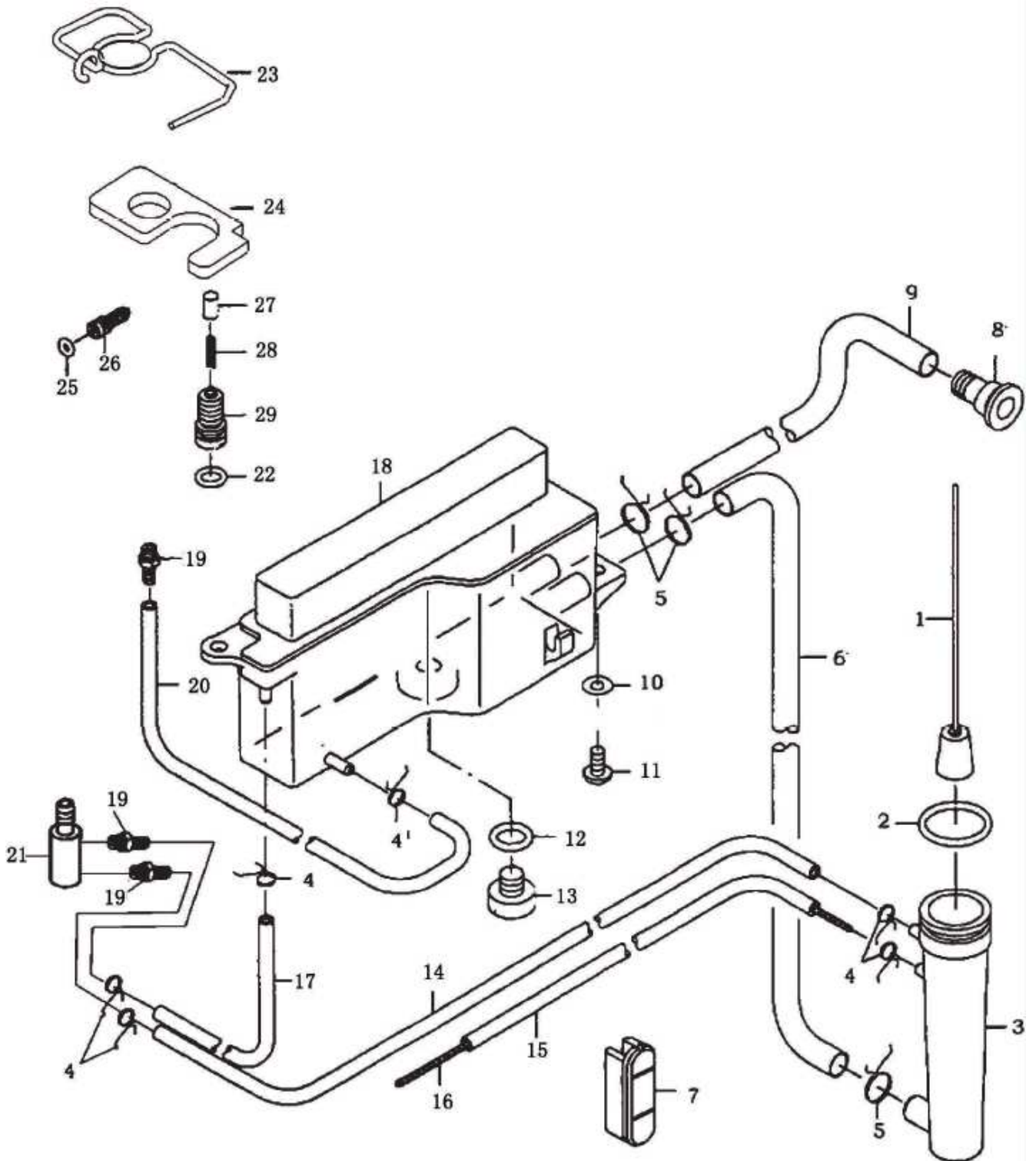
12.Thread trimmer components



12.Thread trimmer components

Ref No.	Part No.	Description	QTY
1	10011422	SCREW 9/64-40	1
2	10011421	FIXED KNIFE	1
3	10014474	SCREW 11/64-40	1
4	10013154	WASHER 9x4,5x0,8	1
5	10011584	DISPART THREAD SHUTTLE	1
6	10008863	SCREW 3/16-32	1
7	10013013	TRIMMING CRANK	1
8	10013024	BUSHING	1
9	10012162	SCREW	1
10	10013027	SHORT BUSHING	1
11	10013044	KNIFE SHAFT CONNECTING BAR	1
12	10026142	SCREW 11/64-40	2
13	10041773	CRANK BLOCK	1
14	10010595	SCREW	2
15	10013023	FIXED PLATE	1
16	10009626	SCREW	3
17	10013026	KNIFE HOLDER	1
18	10011588	SCREW 11/64-40	2
19	10030280	ROUND KNIFE	1
20	10013045	ROUND KNIFE BRACKET	1
21	10005297	NUT 11/64-40	1
22	10010736	THREAD TRIMMER CAM	1
23	10013465	SCREW 1/4-40	2
24	10013030	SPRING	1
25	10014462	BUSHING	1
26	10012162	SCREW	1
27	10013008	WASHER	1
28	10014196	SPRING COVER	1
29	10013007	TRIMMING CRANK SHAFT	1
30	10008812	SPRING	1
31	10008862	SCREW 1/4-40	1
32	10013878	TRIMMING CAM CRANK ASM	1
33	10013038	WASHER	1
34	10014460	WASHER	1
35	10011650	WASHER 8,2X15X2	1
36	10011697	TRIMMING SHAFT	1
37	10013050	LOOSING THREAD PLATE	1
38	10011605	SCREW 1/4-28	1
39	10008834	LOOSING THREAD RETURN SPRING	2
40	10012467	SCREW 1/4-28	1
41	10013047	THREAD TRIMMER SOLENOID ASM	1

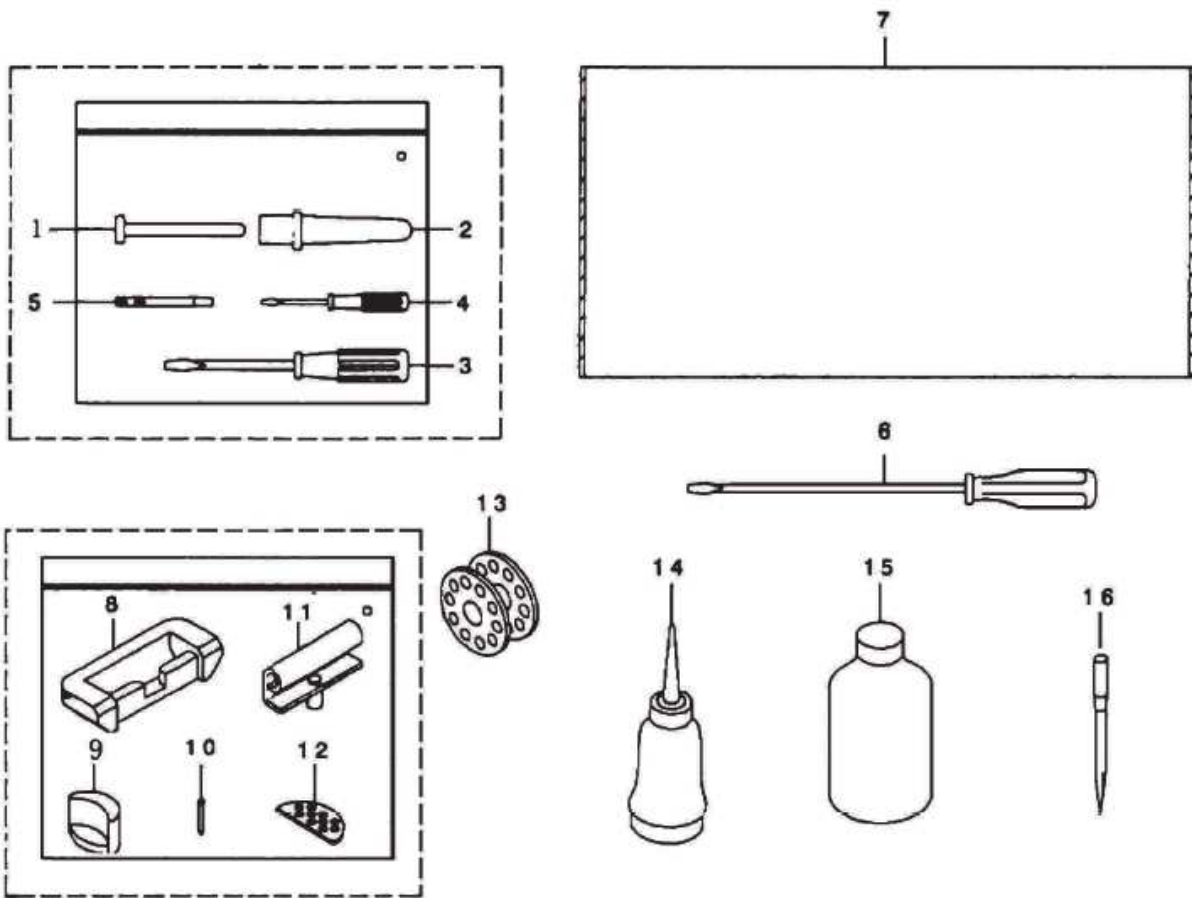
13. Oil lubrication components



13. Oil lubrication components

Ref. No.	Part No.	Description	QTY
1	10000569	FLOATER ASM	1
2	10008777	RUBBER RING	1
3	10008782	FLOATER CASE	1
4	10008781	PIPE STOPPER A	4
5	10008785	PIPE STOPPER B	3
6	10007806	TUBE	1
7	10008772	OIL SIGHT WINDOW	1
8	10026510	OIL INLE	1
9	10007806	TUBE	1
10	10005537	WASHER	1
11	10008972	SCREW	2
12	10010240	RING	2
13	10008783	SCREW	1
14	10007800	TUBE	1
15	10007800	TUBE	1
16	10008101	WICK	1
17	10007800	TUBE	1
18	10012669	TANK ASM	1
19	10029791	LUBRICATION CONNECTOR	3
20	10007800	TUBE	1
21	10013049	DISTRIBUTOR	1
22	10014461	RING	1
23	10022507	OIL FELT PRESSER	1
24	10022345	OIL RETURN FELT	1
25	10012606	RING	1
26	10012667	SCREW	1
27	10012609	PLUNGER	1
28	10014386	PLUNGER SPRING	1
29	10013025	SCREW	1

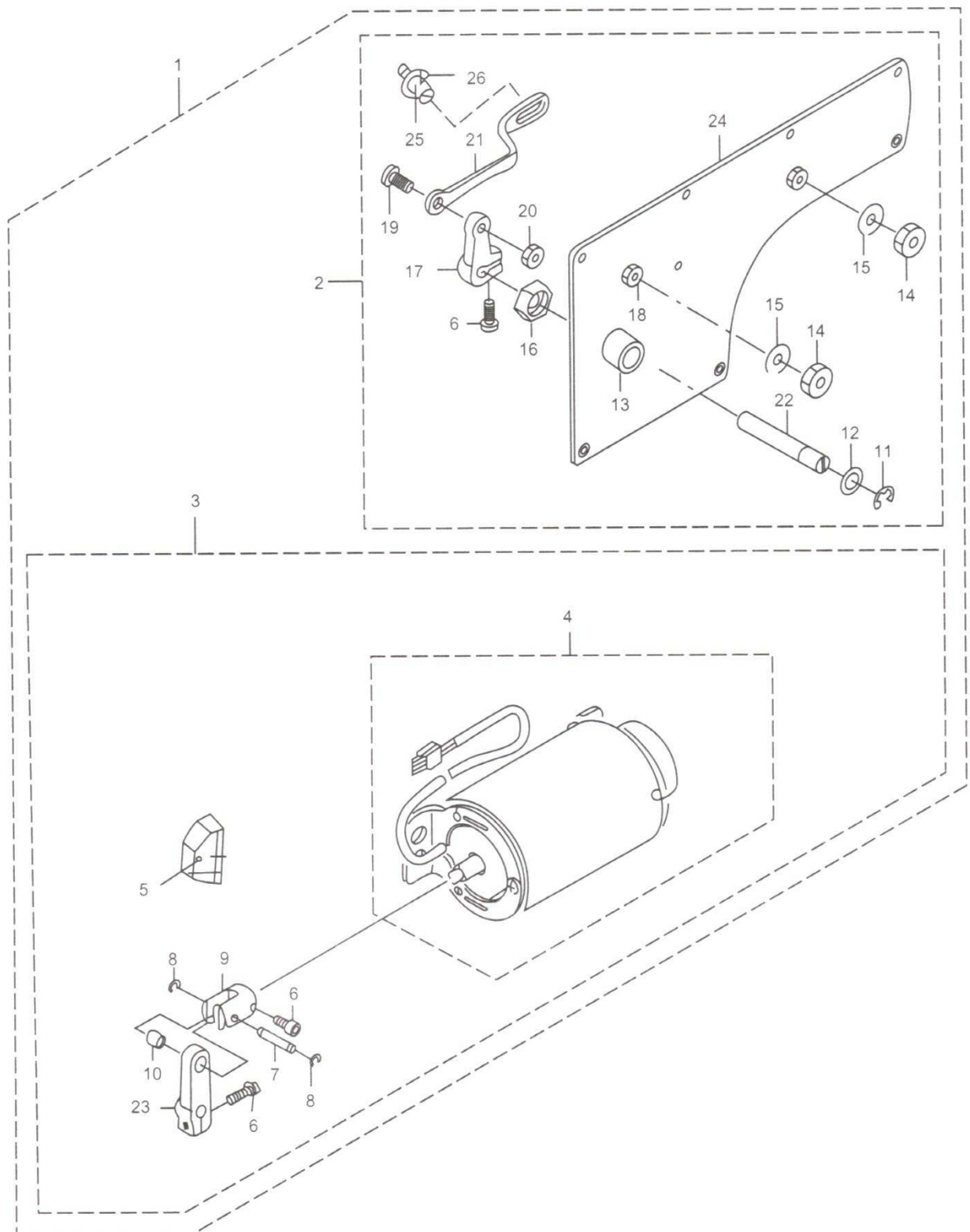
14. Accessories Part Components



14. Accessories Part Components

Ref No.	Part No.	Description	QTY
1	10012631	KNEE LIFTER PRESSER ROD	1
2	10004514	FRAME SUPPORT BAR	1
3	10010995	SCREW DRIVER, MIDDLE	1
4	10013185	SCREW DRIVER, SMALL	1
5	10005639	NEEDLE THREAD GUIDE ASM	1
6	10010994	SCREW DRIVER, LARGE	1
7	10005776	FRAME VINYL COVER	1
8	10006286	RUBBER CUSHION	2
9	10013113	OIL RESERVOIR SEAT	2
10	10003889	NAIL	6
11	10004466	HINGE COMP	2
12	10013101	OIL RESERVOIR CUSHION	2
13	10025484	BOBBIN	3
14	10013294	OILER ASM	1
15	10004455	OIL BOTTLE WITH OIL	1
16	10036288	NEEDLE	1

15. Automatic press foot lifter components



15. Automatic press foot lifter components

Ref. No.	Part No.	Description	QTY
1	ZT110BJ101	AUTOMATIC PRESS FOOT LIFTER COMPONENTS	1
2	ZT110BJ102	REAR COVER BOARD ASM	1
3	ZT110BJ103	ELECTROMAGNETIC ASM	1
4	ZT110GD101	ELECTROMAGNET	1
5	ZT110GR101	CRANK COVER	1
6	ZT110GS101	ROUND NOSE SCREW	3
7	ZT110GZ101	BOLT	1
8	ZT110GK101	SPRING CLIP	2
9	ZT110GH101	PULLER	1
10	ZT110GU101	ROLLER	1
11	ZT110GK102	SPRING CLIP	1
12	ZT110GK103	FLAT SMEAR	1
13	ZT110GO101	SHAFT HUB	1
14	ZT110GL101	ELECTROMAGNET SET SCREW AND NUT	2
15	ZT110GK104	SPACER	1
16	ZT110GL102	THIN NUT	1
17	ZT110GH102	CONNECTING ROD JOINT	1
18	ZT110GS102	ELECTROMAGNETIC SET SCREW	2
19	ZT110GS103	CONNECTING ROD JOINT HINGE SCREW	1
20	ZT110GL103	JOINT HINGE SCREW AND NUT	3
21	ZT110GH103	LINK LEVER	1
22	ZT110GZ102	TRANSMISSION SHAFT	1
23	ZT110GZ103	ACTUATOR LEVER	1
24	ZT110GR102	REAR COVER BOARD	1
25	ZT110GS104	CONNECTING ROD SCREW	1
26	ZT110GK105	SPRING CLIP	1



Dealer: